

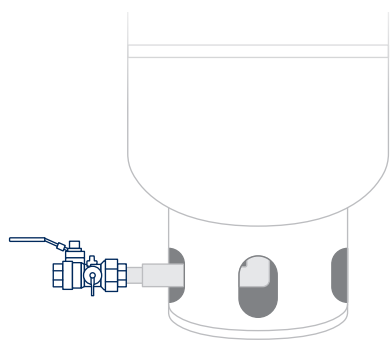
New



# Service Valve with Union

## Unique and exclusive

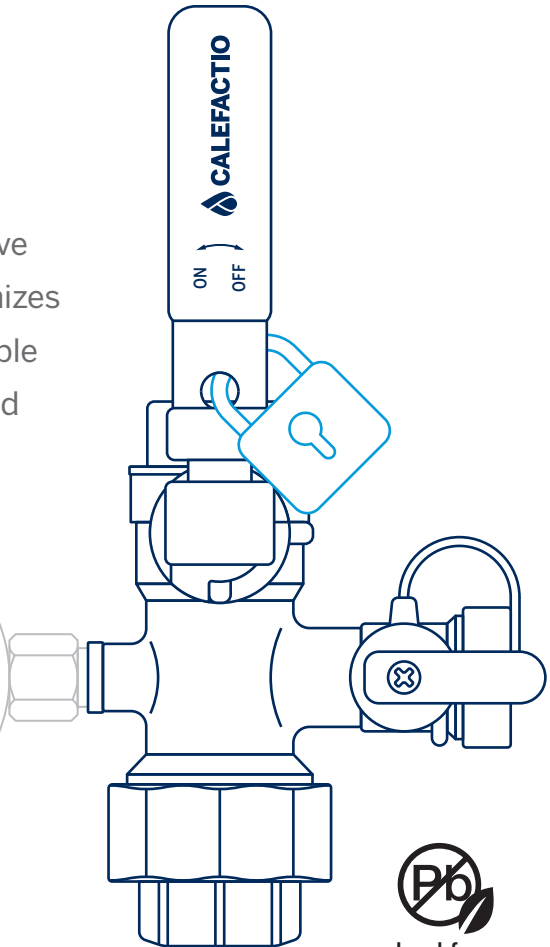
The compact design of Calefactio's service valve with union reduces installation time and minimizes the risk of leaks, providing a practical and reliable all-in-one solution for vertical tanks, boilers, and plate heat exchangers.



Expansion tank equipped with a service valve and drain



Optional pressure gauge



Lead-free

Integrated union for fast maintenance

Lockable handle

Compact all-in-one design

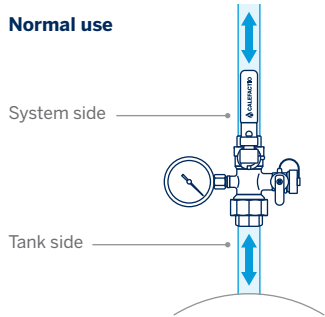
[calefactio.com](http://calefactio.com)

# Unique and exclusive Service Valve with Union

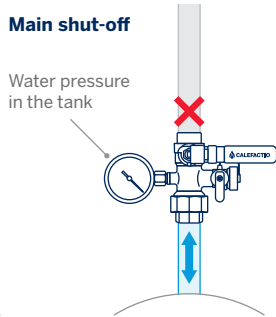


## Installation and Operation

### Normal use

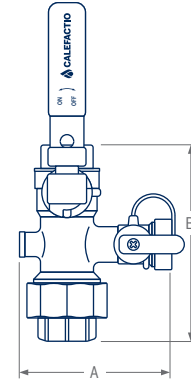
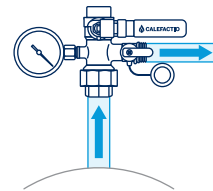


### Main shut-off



### Opening of the drain valve

When the pressure is at 0 PSI, the union can be safely unscrewed.



## Advantages

- Compact design enabling quick installation and saving space.
- Integrated union for easy maintenance.
- Lockable handle compatible with a padlock.
- Built-in drain for tank drainage and pre-charge verification.
- Gauge port for easy pressure reading and monitoring.
- Reduces the risk of leaks by minimizing the number of joints and fittings.
- Robust construction ensuring long-term reliability and durability.

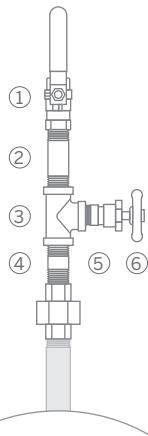
## Technical Specifications

- ▶ Forged brass body
- ▶ Lockable handle
- ▶ Integrated union
- ▶ Drain valve
- ▶ Pressure gauge port (1/8" NPT)
- ▶ Connections: NPT, 3/4" to 1 1/2"
- ▶ Pressure rating: 600 WOG
- ▶ Lead-free

## Traditional Assembly

### Requires:

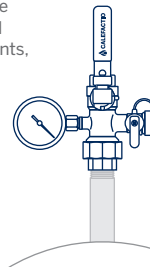
1. NPT union
2. Nipple
3. Tee
4. Nipple
5. Ball valve
6. Ball valve on the tee for drainage



## Simplified Installation

### Compact all-in-one design

Calefactio's service valve with union integrates all the necessary components, eliminating traditional assembly.



**New**

### NPT

Model#	Conn.	Dimension				Weight	
		A		B		lb	kg
		in	mm	in	mm		
SV075N	3/4"	3.6	93	4.4	112	1.52	0.69
SV100N	1"	3.9	100	4.8	122	2.18	1.00
SV125N	1 1/4"	4.1	105	5.5	140	3.06	1.39
SV150N	1 1/2"	4.4	112	5.9	151	3.73	1.69

## Compatible with the following tanks

### SV075N

ALT130 OT15  
ALT200 OT20  
ALT300  
ALT400  
ALT500  
ALT600  
ALT800

### SV100N

AL35 HGTV30 OT40  
AL50 HGTV40 OT60  
AL85 HGTV60 OT80  
AL130 OT100  
ALT35  
ALT50  
ALT85

### SV125N

HGTV90  
HGTV110  
HGTV150

### SV150N

AL200 OT120  
AL300 OT144  
AL400 OT180  
ALT1000 OT200  
ALT1200 OT240  
ALT1400 OT260  
ALT1600 OT280  
ALT2000

## Also available



Drain valve

Ball valve with high-flow drain

Drain ball valve

Quebec, Canada  
T 450 951.0818  
F 450 951.2165  
calefactio.com

calefactio\_solutions  
 calefactio  
 calefactio-solutions-inc

**CALEFACTIO**  
 Improve what's best