



Ball valve with high-flow drain

Calefactio's new full port brass ball valves with high flow drain allow you to isolate and drain any part of a piped system.



Lead-free



Drainage on both sides
of the valve

270° pivoting
handle

Replaces Four
Components

calefactio.com

This innovative valve combines the precision of a ball valve with a high-capacity drain, ensuring seamless and uninterrupted flow.

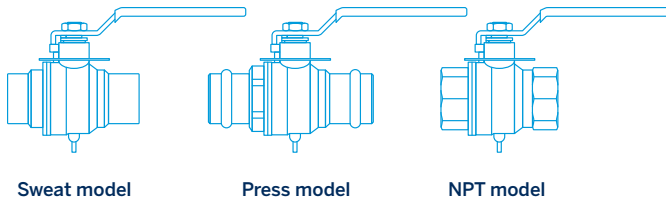
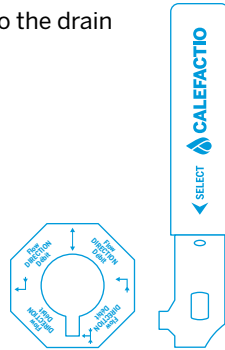
They simplify maintenance and service operations, enabling quick and efficient interventions.

Advantages

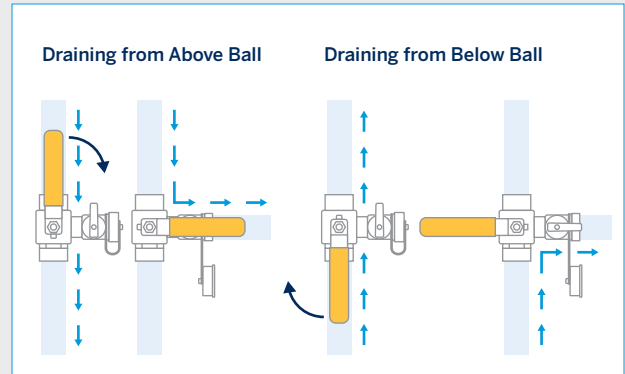
- ▶ 270° pivoting handle
- ▶ Avoids reduced port alternatives
- ▶ Redirecting the main flow channel into the drain
- ▶ Compact and efficient design
- ▶ Reduces the risk of pressure drop and debris accumulation

Technical Specifications

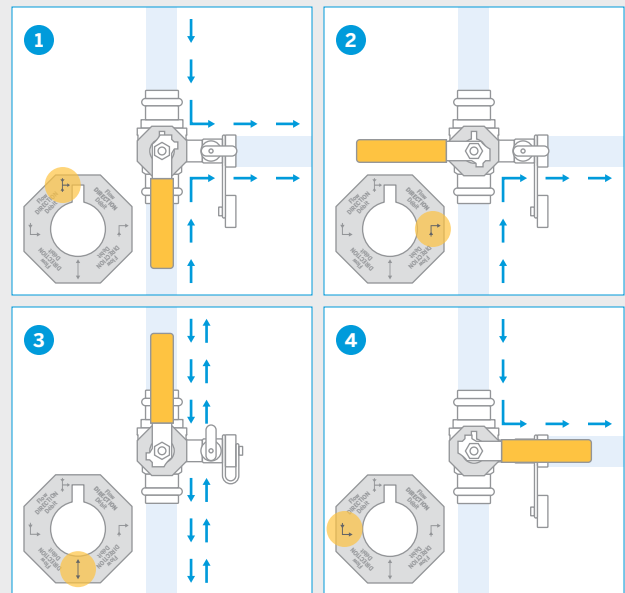
- ▶ Full port brass valve
- ▶ High-flow drain (3/8")
- ▶ Handle that swivels up to 270°
- ▶ Seat: PTFE
- ▶ O-ring: EPDM
- ▶ Nominal pressure: 250 PSI
- ▶ Connection: Sweat, Press and NPT, 3/4" to 2"



Operation



Models with nameplate



Also available



Tankless water heater valve kit (Pressure relief valve included)



Tankless water heater valves with expansion tank



Drain valves



Pressure relief valve

Quebec, Canada
 T 450 951.0818
 F 450 951.2165
 calefactio.com

calefactio_solutions
 calefactio
 calefactio-solutions-inc

