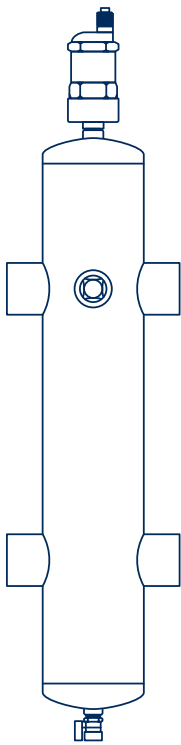


CALBALANCE

HYDRAULIC SEPARATORS

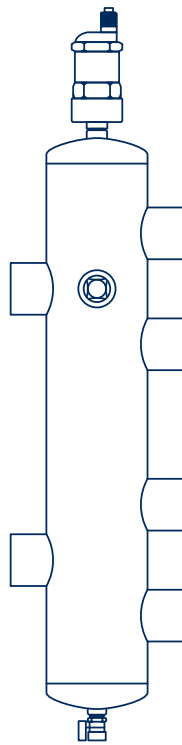
Instruction

HYDRAULIC SEPARATORS



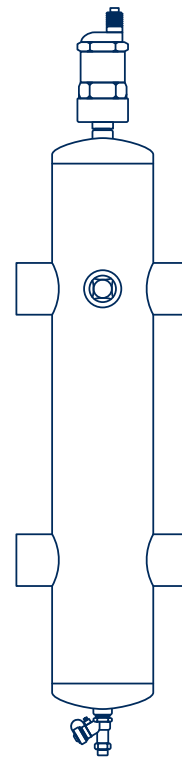
Hydraulic separator

#CB100
#CB125
#CB150
#CB200



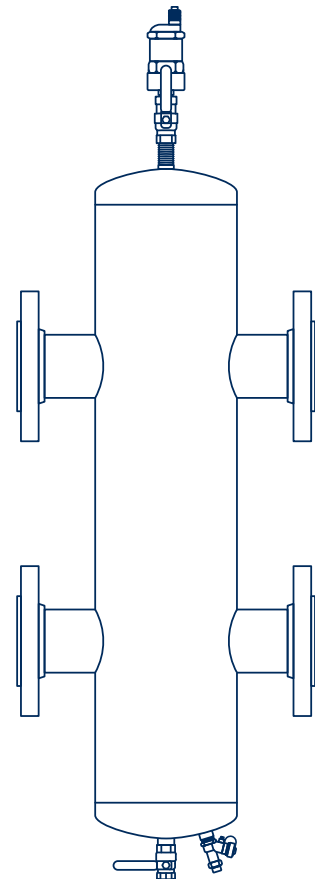
2 zones hydraulic separator

#CB1002Z
#CB1252Z



4 in 1 hydraulic separator

#CB100-4
#CB125-4
#CB150-4
#CB200-4



4 in 1 hydraulic separator with flange

#CB250F-4
#CB300F-4
#CB400F-4

Scan the QR code to see the online version.



Description

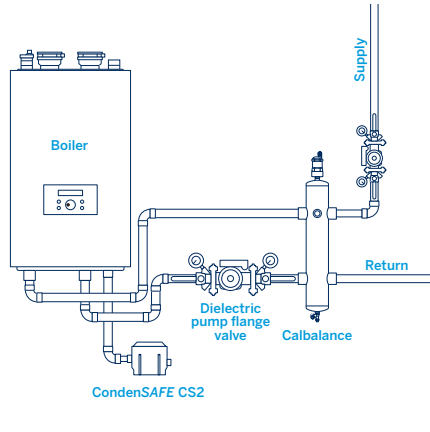
Hydraulic separators serve to isolate the primary circuit (boiler) from the secondary circuit (heat emitter applications) for both debit and pressure loss. Hydraulic separator size is determined according to maximal flow at point of entry. Settings must be on maximum on both primary and secondary circuits.

Installation

A hydraulic separator should only be installed by qualified individuals, in accordance with all laws and by-laws currently in effect. It must be installed between the primary and secondary circuits, and always in the upright position.

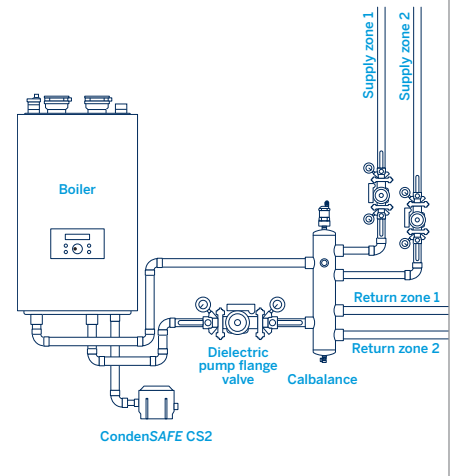
Installation diagram

- Hydraulic separator
- 4 in 1 hydraulic separator
- 4 in 1 hydraulic separator with flange



Installation diagram

- 2 zones hydraulic separator



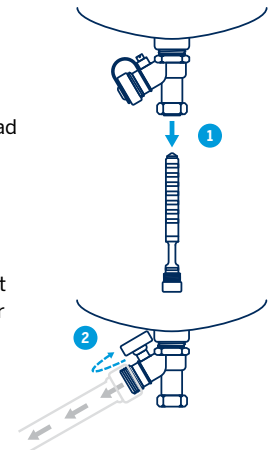
Installation de l'isolation

- 1) Insert the Calbalance on one half of the shell. Make sure connections are free and the opening for the pressure/temperature gauge is positioned properly to host the device. Cover the entire Calbalance device with the second half of the shell, and secure with the Velcro® strip.
- 2) When used on a cooling system, install a seal to prevent moisture from penetrating between the insulation and the Calbalance device.



Maintenance of the magnet for 4 in 1 hydraulic separators

- 1) It is important to unscrew the magnet head (not the hexagonal ring) located at the bottom of the unit in order to completely remove the magnet. This step is essential in order to dislodge ferrous impurities.
- 2) Unscrew the drain valve cap and connect a garden hose if necessary to collect water and dirt in a container.



WARNING

System application, installation and maintenance work must be done by qualified individuals only, in accordance with all laws and by-laws currently in effect.

If this device is not properly installed, operated or maintained according to the instructions in this manual, malfunctions could occur and endanger the operator/user.

Make sure all pipes connected to the device are properly sealed.

When installing this device, make sure connections do not undergo mechanical stress. Over time, this could cause ruptures and loss of liquid resulting in property damage or injury to the user/operator.

Water temperatures over 100°F (38°C) can be dangerous. When installing, operating or maintaining this device, all necessary precautions must be taken to ensure high temperatures do not cause injury.

LEAVE THIS MANUAL FOR THE USER/OPERATOR

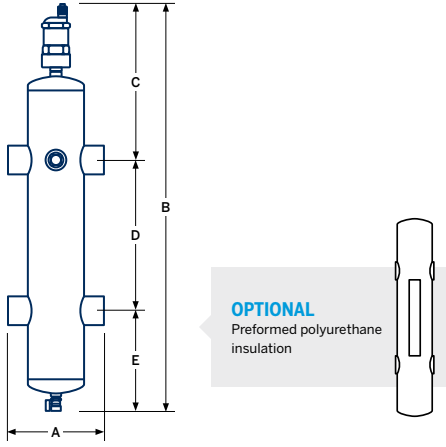
Hydraulic separator size is determined according to maximum flow at point of entry.
Data must be set at maximum on both primary and secondary circuits.

HYDRAULIC SEPARATOR

- #CB100
- #CB125
- #CB150
- #CB200

Maximum operating pressure:
10 bar/150 PSI

Operating temperatures:
0-100°C/32-212°F



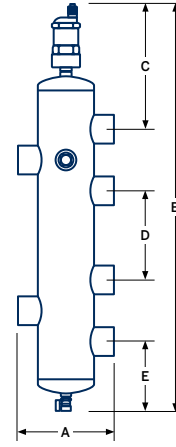
Model#	Connect. FNPT	Flow		Dimension										Weight	
				A		B		C		D		E			
				in	mm	in	mm	in	mm	in	mm	in	mm		
CB100	1	11	2.5	3	76	26	660	8.7	220	10.5	267	6.8	172	8	3.6
CB125	1¼	18	4	3.5	89	28	710	9.4	240	11.1	282	7.4	188	11	5
CB150	1½	26	6	4.5	114	30	760	10.2	260	11.7	298	8	203	14	6.4
CB200	2	39	9	5.5	140	32	810	11.8	300	11.7	298	8.4	213	19	8.6

2 ZONES HYDRAULIC SEPARATOR

- #CB100Z
- #CB125Z

Maximum operating pressure:
10 bar/150 PSI

Operating temperatures:
0-100°C/32-212°F



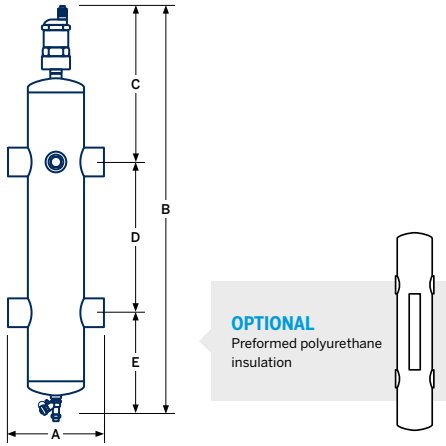
Model#	Connect. FNPT	Flow		Dimension										Weight	
				A		B		C		D		E			
				in	mm	in	mm	in	mm	in	mm	in	mm		
CB100Z	1	11	2.5	3	76	25.7	653	4.7	120	8.1	206	5	127	8.8	4
CB125Z	1¼	18	4	3.5	89	27.5	698	5.5	140	8.6	218	5.5	140	11.2	5.1

4 IN 1 HYDRAULIC SEPARATOR

- #CB100-4
- #CB125-4
- #CB150-4
- #CB200-4

Maximum operating pressure:
10 bar/150 PSI

Operating temperatures:
0-100°C/32-212°F



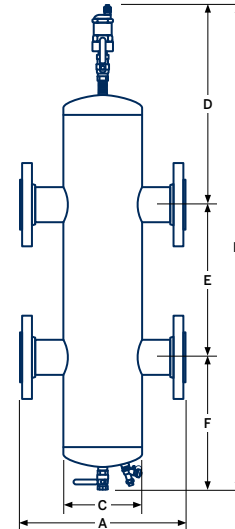
Model#	Connect. FNPT	Flow		Dimension										Weight	
				A		B		C		D		E			
				in	mm	in	mm	in	mm	in	mm	in	mm		
CB100-4	1	11	2.5	3	76	26.7	677	10.2	258.5	8.7	220	7.8	198.5	9.5	4.3
CB100-4	1¼	18	4	3.5	89	28.4	722	10.7	271	9.4	240	8.3	211	11.9	5.4
CB100-4	1½	26	6	4.5	114	30.5	774	11.3	287	10.2	260	8.9	227	15.9	7.2
CB100-4	2	39	9	5.5	140	32.5	824	11.3	287	11.8	300	9.3	237	20.9	9.5

4 IN 1 HYDRAULIC SEPARATOR WITH FLANGE

- #CB250F-4
- #CB300F-4
- #CB400F-4

Maximum operating pressure:
10 bar/150 PSI

Operating temperatures:
0-132°C/32-270°F



Model#	Connect. FNPT	Flow		Dimension										Weight			
				A		B		C		D		E				F	
				in	mm	in	mm	in	mm	in	mm	in	mm			in	mm
CB250F-4	2½	88	20	13.8	350	42.5	1080	6.6	168	17.5	445	13	330	12	305	63	28.6
CB250F-4	3	132	30	18.4	467	46.5	1180	8.6	219	17.1	435	17.7	450	11.6	295	81	36.7
CB250F-4	4	255	58	18.4	467	46.5	1180	8.6	219	17.1	435	17.7	450	11.6	295	95	43.1

Quebec, Canada
T 450 951.0818
F 450 951.2165

calefactio_solutions
 calefactio
 calefactio-solutions-inc

calefactio.com

