

CALBALANCE / CBA

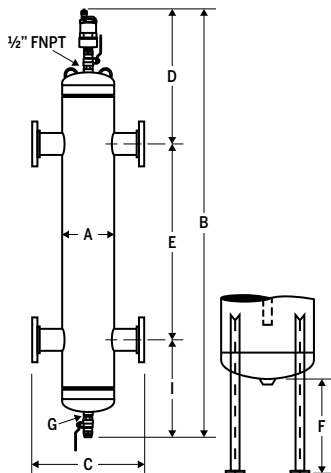
WITH FLANGE

- ▶ Design conforms to ASME, section VIII
- ▶ Separate air with baffles
- ▶ Housing in carbonized steel
- ▶ Adapted fluids: water and 50% glycol solution
- ▶ Equipped with a Calvent automatic air vent (#CV050)
- ▶ Supplied with a drain valve
- ▶ Models with connections of 6 in or greater supplied on stand
- ▶ Simple to install
- ▶ Easy to maintain
- ▶ Reduces energy consumption as the pumps are only used in required zones
- ▶ Eliminates the need to install an automatic air vent

TECHNICAL SPECIFICATIONS

- ▶ Maximum operating pressure: 150 PSI/10 bar (200 & 250 PSI/13 & 17 bar available)
- ▶ Operating temperature: 0°C-232°C/32°F-450°F

✘ To obtain a tank of higher capacity and greater pressure, contact the manufacturer.



Model#	Conn.	Flow		Dimension										Approx. weight						
				A		B		C		D		E				F		G		I
	in	GPM	m ³ /h	in	mm	in	mm	in	mm	in	mm	in	mm	in	mm	in	mm	lb	kg	
CB200A	2	34	7.7	6%	168	44%	1137	14%	375	14%	375	20%	527	-	-	1/2	9	235	90	41
CB250A	2½	90	20.4	6%	168	49%	1264	14%	375	15%	387	24%	628				10	248	115	52
CB300A	3	130	29	10%	273	60	1524	18%	476	17%	441	30%	781				12	302	225	102
CB400A	4	255	58	10%	273	81%	2064	22%	578	23	584	40%	1022	-	-	1	18	457	330	150
CB500A	5	398	90	14	356	91%	2324	26	660	23	584	50%	1283				18	457	415	188
CB600A	6	570	129	18	457	104%	2661	30	762	24½	622	60%	1643	14	356	1	20	495	420	191
CB800A	8	945	214	24	610	133%	3397	36	914	29%	746	80	2032				24	619	575	261
CB1000A	10	1440	326	30	762	160%	4070	42	1067	32½	826	100%	2546				28	699	935	424
CB1200A	12	2100	476	30	762	192	4877	42	1067	38	965	119½	3035	2			35	876	1165	528
CB1400A	14	2550	578	42	1067	211%	5378	54	1371	42	1067	131%	3334				39	978	2430	1102
CB1600A	16	3330	748	48	1220	236%	6013	60	1524	45%	1146	150	3810				42	1057	3260	1479

QUANTITY: _____ MODEL: CB _____ A

MAXIMUM PRESSURE: 250 PSI / 17 bar 200 PSI / 13 bar 150 PSI / 10 bar Other*: _____

Notes: _____

Project: _____ Representative: _____

Location: _____ Date submitted: _____

Engineer: _____ Approved by: _____

Contractor: _____ Date of approval: _____

*Subject to the manufacturer's approval.

TYPICAL SPECIFICATIONS: Furnish and install as shown on plans a Calbalance hydraulic separator from Calefactio. The hydraulic separator must be equipped with a Calvent automatic air vent (#CV050) and a drain valve. Each hydraulic separator must resist a 232°C/450°F maximum operating temperature and a _____ psi/bar operating pressure. The Calbalance hydraulic separator must be made of carbon steel and adapted for water and glycol solutions at 50%. The Calbalance hydraulic separator must be constructed in accordance with Section VIII of the ASME Boiler and Pressure Vessel Code and be a model CB _____ A or approved equivalent.