

ANTI-SEISMIC BRACKET



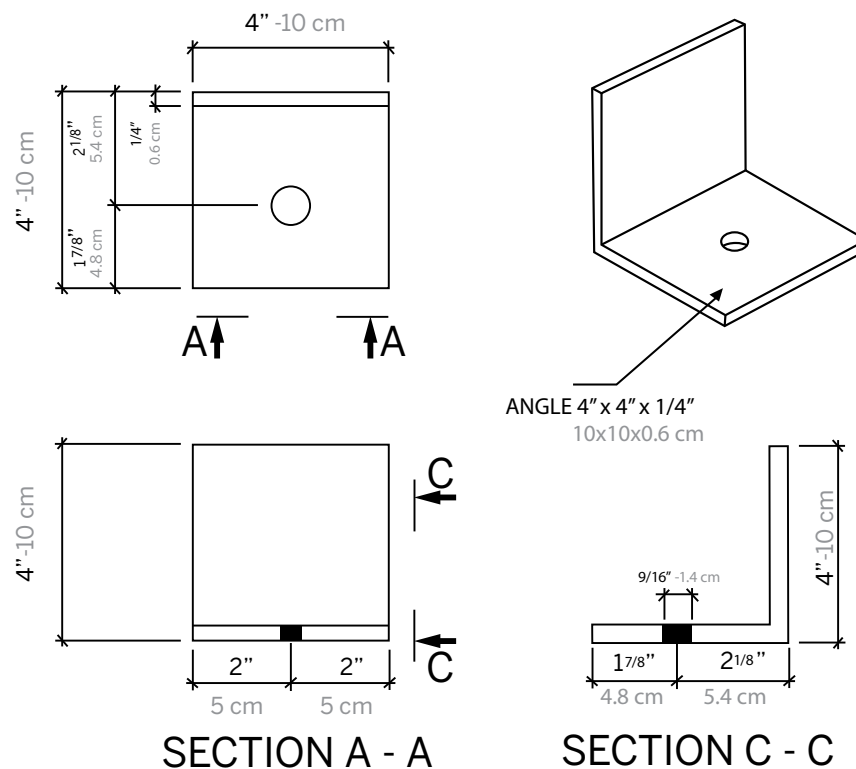
SUBMITTAL DATA

BKT4

| | |
|------------|------------------|
| Project | Representative |
| Location | Date submitted |
| Engineer | Approved by |
| Contractor | Date of approval |

DESCRIPTION

Anti-seismic brackets are used to affix tanks to the floor preventing them from moving or toppling over during an earthquake. Made of steel, coated with a primer paint finish.



TYPICAL SPECIFICATIONS

Brackets are furnished and installed upon request by Calefactio.

Québec (Canada)

T 450 951.0818

F 450 951.2165

info@calefactio.com

calefactio.com