

**SINGLE GMP**

**PROJECT**

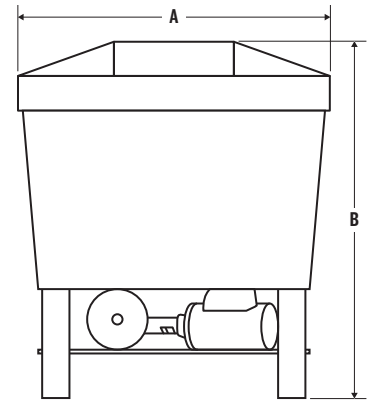
\_\_\_\_\_ To \_\_\_\_\_  
 \_\_\_\_\_ Date submitted \_\_\_\_\_  
 \_\_\_\_\_ Date of approval \_\_\_\_\_  
 \_\_\_\_\_ Model number \_\_\_\_\_

\_\_\_\_\_ Project \_\_\_\_\_  
 \_\_\_\_\_ Submitted by \_\_\_\_\_  
 \_\_\_\_\_ Approved by \_\_\_\_\_  
 \_\_\_\_\_ Quantity \_\_\_\_\_

**DESCRIPTION**

The Single GMP unit (GMP) has a mechanical system composed with a pump, a magnetic starter and a low which stops the pump in the event of a low level. Low liquid level sensors are in the tank. The user will be warned by a visible and audible (which can be disabled) alarm.

The GMP unit is mounted on a sturdy steel frame, complete with legs to keep it off the floor. The package includes a pump (120V/1ph/60Hz), one pressure tank, one priming valve, one pressure regulator valve (PRV), a shut-off valve, a pressure gauge and a 50 or 100 gallons polyethylene tank with level indicator. The GMP connection on this unit is 1/2" (1.27 cm.)



**TECHNICAL CHARACTERISTICS**

MODEL	MAKE-UP CAPACITY		MOTOR		PRESSURE RANGE		SOLUTION CONTAINER		DIMENSION				APPROX. WEIGHT		
	GPM @ psi	l/m @ kPa	hp	kW	Voltage	psi	kPa	gal.	L	A		B		lb	kg
										in	cm	in	cm		
GMP13050	1.8 @ 70	6.8 @ 482	1/3	0.2	120 V/1 ph/60 Hz	10-70	69-482	50	189	28	71	42	107	90	41
GMP13100	1.8 @ 70	6.8 @ 482	1/3	0.2	120 V/1 ph/60 Hz	10-70	69-482	100	378	28	71	67	170	105	47
GMP15050	1.8 @ 70	6.8 @ 482	1/2	0.4	120 V/1 ph/60 Hz	10-70	69-482	50	189	28	71	42	107	95	43
GMP15100	1.8 @ 70	6.8 @ 482	1/2	0.4	120 V/1 ph/60 Hz	10-70	69-482	100	378	28	71	67	170	110	49

**TYPICAL SPECIFICATIONS**

Furnish and install, as shown on plans and described as follows a glycol feeder equipped with a mechanical system composed of a magnetic starter as well as a switch and an audible and visual low level alarm. The system must be mounted on a sturdy steel frame, completed with legs to keep it off the floor and include a pump (120V/1ph/60Hz), one pressure tank, one priming valve, one pressure regulator valve (PRV), a shut-off valve, a pressure gauge, a \_\_\_\_\_ hp motor and a \_\_\_\_\_ gallons polyethylene tank with level indicator. The unit must be Calefactio's GMP \_\_\_\_\_ or approved equivalent.

Quebec (Canada)  
 T 450 951.0818  
 F 450 951.2165  
 info@calefactio.com  
 calefactio.com