

CONDENSAFE™

QUALITY

INNOVATION

RELIABILITY

Project: _____

Representative: _____

Location: _____

Dated submitted: _____

Engineer: _____

Approved by: _____

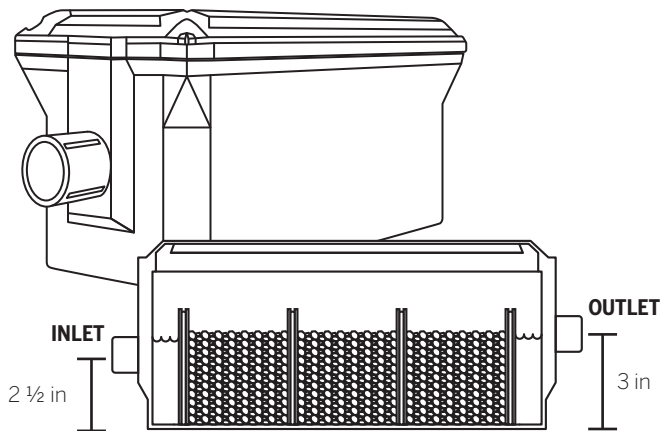
Contractor: _____

Date of approval: _____

DESCRIPTION

CondensSAFE neutralizes condensate issued by modulating condensing gas heating devices. A rigid pipe links the heating device to the CondensSAFE unit to treat the condensate. The media in the unit neutralizes the condensate pH to make it safe for the building components and most importantly, the environment. CondensSAFE can contain up to three media bags so to suit different heating devices capacity and condensate volumes to treat. Media bags have a label to mark the installation date. The unit weighs 1.5 kg including one media bag and the connections.

Refer to the following chart to determine how many sections need to be filled with a media bag.



TECHNICAL DATA

MODEL	LENGTH		WIDTH		HEIGHT		INLET/ OUTLET	SIZING												UNIT MAX CONDENSATE FLOWRATE*
	in	cm	in	cm	in	cm		1 SECTION				2 SECTIONS				3 SECTIONS				
								MBH	kWh	gal/h	L/h	MBH	kWh	gal/h	L/h	MBH	kWh	gal/h	L/h	
CS6	12	30.5	4 3/4	12	5 1/2	14	1/2" FNPT	525	154	2.1	8	1050	308	4.2	16	1575	461	6.3	24	6.3 GPH (24 LPH)

*Verify condensate flowrate on your appliance.

TYPICAL SPECIFICATIONS

Furnish and install as shown on plans a condensate neutralizer unit CondensSAFE manufactured by Calefactio Solutions Inc. The condensate neutralizer unit must neutralize a condensate volume of _____ L/h from a _____ MBH (_____ kWh) capacity heating device, so be equipped with _____ neutralizing media bags (#CSM2) with installation date label, in the same amount of sections.

Including: 2 x 3/4" glued fittings + 2 x 1/2" glued fittings + 3 pH test strips + Wall brackets

OPTIONS

- 10 feet of flexible hose 2 x 3/4" barbed fittings AND 2 x 1/2" barbed fittings (#CSHK)
- Additional media bag(s) (#CSM2) Quantity _____

WARRANTY

CondensSAFE offers a one-year limited warranty from the date of purchase. The warranty is only valid if the product is installed and used under normal working conditions and for the purpose it was intended.

Quebec (Canada)

T 450 951.0818

F 450 951.2165

info@calefactio.com

calefactio.com

