

## Submittal Data

# 2" PUMP FLANGE VALVE 2" SWEAT WITH NO DRAIN

Job Name: \_\_\_\_\_  
 Location: \_\_\_\_\_  
 Engineer: \_\_\_\_\_  
 Contractor: \_\_\_\_\_  
 Sales Rep.: \_\_\_\_\_

Submitted by: \_\_\_\_\_ Date: \_\_\_\_\_  
 Approved by: \_\_\_\_\_ Date: \_\_\_\_\_  
 Order No.: \_\_\_\_\_ Date: \_\_\_\_\_  
 Notes: \_\_\_\_\_

### DESCRIPTION

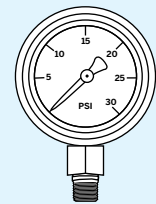
- ▶ Full port brass ball valve
- ▶ Ball valve isolation for circulating pumps
- ▶ Rotating flange
- ▶ 2 gauge ports
- ▶ 500 CWP (Cold Working Pressure)

### INCLUDED

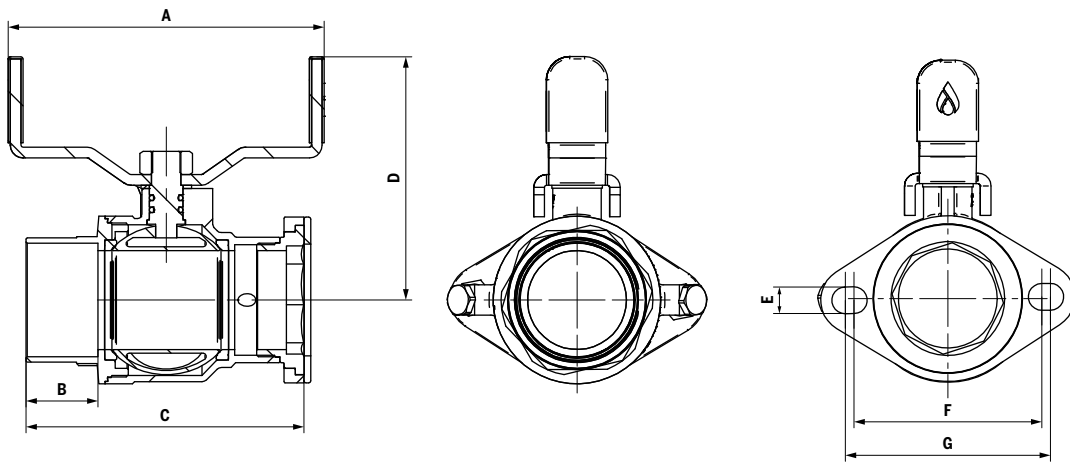
- ▶ 1 gasket
- ▶ 2 nuts and 2 bolts

### OPTIONAL

- ▶ 1/8" MNPT Pressure gauge  
0-30 PSI  
(#GAGE0-30BOTTOM)
- ▶ 1/8" MNPT Pressure gauge  
0-100 PSI  
(#GAGE0-100BOTTOM)



Model#	Size	A		B		C		D		E		F		G		Weight	
		in	mm	in	mm	in	mm	in	mm	in	mm	in	mm	in	mm	lb	kg
PF200S-ND	2"	6	150	1 3/8	34	5 1/4	132	4 1/2	116	1/2	13	3 1/2	88	4	97	4.7	2.2



### TYPICAL SPECIFICATIONS

Designed for residential, commercial, or industrial use with water or a glycol mixture. This Calefactio pump flange valve is activated by a blowout proof stem. Multi-directional main valve allows for draining from either side of the pump. Do not silver braze or overheat valves when soldering.