

Submittal Data

DIELECTRIC PUMP FLANGE VALVE PRESS WITH NO DRAIN

Job Name: _____
 Location: _____
 Engineer: _____
 Contractor: _____
 Sales Rep.: _____

Submitted by: _____ Date: _____
 Approved by: _____ Date: _____
 Order No.: _____ Date: _____
 Notes: _____

DESCRIPTION

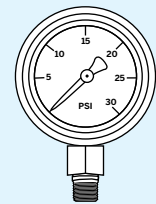
- ▶ Full port brass ball valve
- ▶ Ball valve isolation for circulating pumps
- ▶ Dielectric rotating flange
- ▶ 2 gauge ports
- ▶ 500 CWP (Cold Working Pressure)

INCLUDED

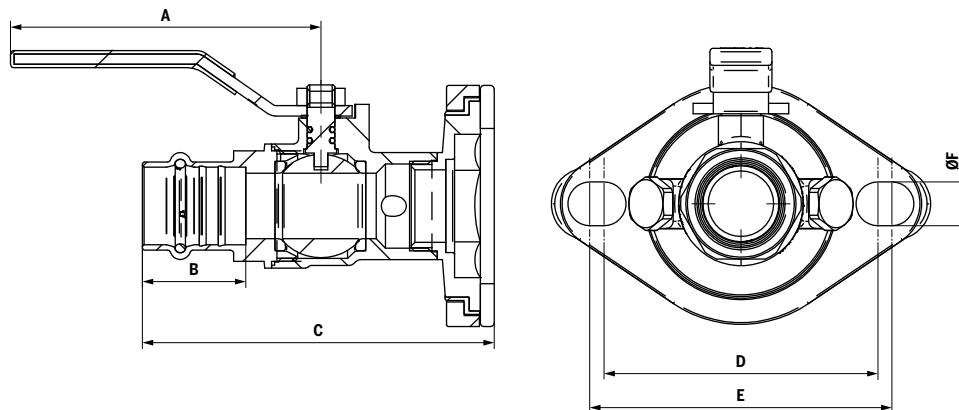
- ▶ 1 gasket
- ▶ 2 nuts and 2 bolts

OPTIONAL

- ▶ 1/8" MNPT Pressure gauge
0-30 PSI
(#GAGE0-30BOTTOM)
- ▶ 1/8" MNPT Pressure gauge
0-100 PSI
(#GAGE0-100BOTTOM)



Model#	Size	A		B		C		D		E		F		Weight	
		in	mm	in	mm	in	mm	in	mm	in	mm	in	mm	lb	kg
PF034P-ND	3/4"	3 1/2	90	1 3/16	30	4	101	3 1/8	79	3 1/2	88	1/2	13	1.7	0.8
PF100P-ND	1"	4	100	1 3/16	30	4 1/4	107	3 1/8	79	3 1/2	88	1/2	13	2.1	1.0
PF114P-ND	1 1/4"	5 1/2	140	1 3/16	30	4 3/4	119	3 1/8	79	3 1/2	88	1/2	13	2.8	1.3
PF112P-ND	1 1/2"	5 1/2	140	1 3/8	35	5 1/16	129	3 1/8	79	3 1/2	88	1/2	13	3.3	1.5



TYPICAL SPECIFICATIONS

Designed for residential, commercial, or industrial use with water or a glycol mixture. This Calefactio dielectric pump flange valve is activated by a blowout proof stem. The rotating flange features a dielectric isolation. Multi-directional main valve allows for draining from either side of the pump. Do not silver braze or overheat valves when soldering, high temperature may damage the seat material.