

## Submittal Data

# DIELECTRIC PUMP FLANGE VALVE PRESS WITH DRAIN

Job Name: \_\_\_\_\_  
 Location: \_\_\_\_\_  
 Engineer: \_\_\_\_\_  
 Contractor: \_\_\_\_\_  
 Sales Rep.: \_\_\_\_\_

Submitted by: \_\_\_\_\_ Date: \_\_\_\_\_  
 Approved by: \_\_\_\_\_ Date: \_\_\_\_\_  
 Order No.: \_\_\_\_\_ Date: \_\_\_\_\_  
 Notes: \_\_\_\_\_

### DESCRIPTION

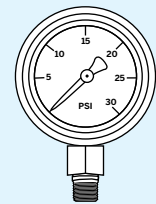
- ▶ Full port brass ball valve
- ▶ Ball valve isolation for circulating pumps
- ▶ Dielectric rotating flange
- ▶ 1 gauge port and 1 drain port
- ▶ 500 CWP (Cold Working Pressure)

### INCLUDED

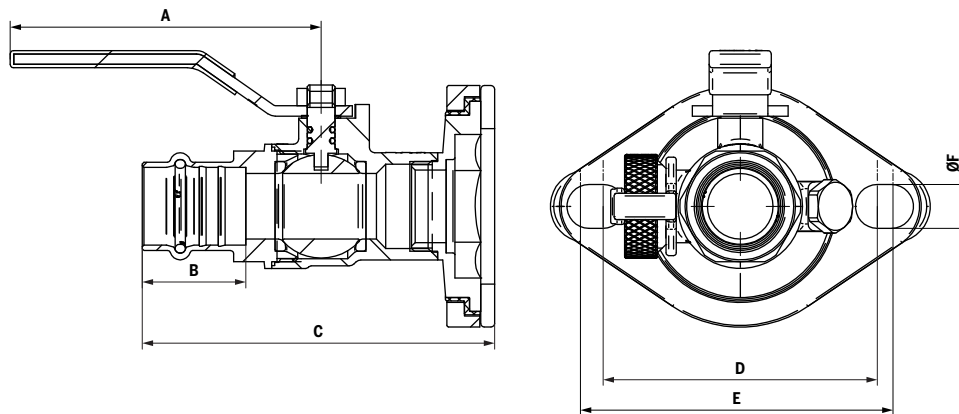
- ▶ 1 gasket
- ▶ 2 nuts and 2 bolts

### OPTIONAL

- ▶ 1/8" MNPT Pressure gauge  
0-30 PSI  
(#GAGE0-30BOTTOM)
- ▶ 1/8" MNPT Pressure gauge  
0-100 PSI  
(#GAGE0-100BOTTOM)



Model#	Size	A		B		C		D		E		F		Weight	
		in	mm	in	mm	in	mm	in	mm	in	mm	in	mm	lb	kg
PF034P-D	3/4"	3 1/2	90	1 3/16	30	4	101	3 1/8	79	3 1/2	88	1/2	13	1.8	0.8
PF100P-D	1"	4	100	1 3/16	30	4 1/4	107	3 1/8	79	3 1/2	88	1/2	13	2.2	1.0
PF114P-D	1 1/4"	5 1/2	140	1 3/16	30	4 3/4	119	3 1/8	79	3 1/2	88	1/2	13	2.9	1.3
PF112P-D	1 1/2"	5 1/2	140	1 3/8	35	5 1/16	129	3 1/8	79	3 1/2	88	1/2	13	3.4	1.6



### TYPICAL SPECIFICATIONS

Designed for residential, commercial, or industrial use with water or a glycol mixture. This Calefactio dielectric pump flange valve is activated by a blowout proof stem. The rotating flange features a dielectric isolation. Multi-directional main valve allows for draining from either side of the pump. Do not silver braze or overheat valves when soldering, high temperature may damage the seat material.