

Submittal Data

2" PUMP FLANGE VALVE 2" PRESS WITH NO DRAIN

Job Name: _____
 Location: _____
 Engineer: _____
 Contractor: _____
 Sales Rep.: _____

Submitted by: _____ Date: _____
 Approved by: _____ Date: _____
 Order No.: _____ Date: _____
 Notes: _____

DESCRIPTION

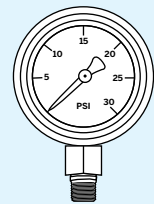
- ▶ Full port brass ball valve
- ▶ Ball valve isolation for circulating pumps
- ▶ Rotating flange
- ▶ 2 gauge ports
- ▶ 500 CWP (Cold Working Pressure)

INCLUDED

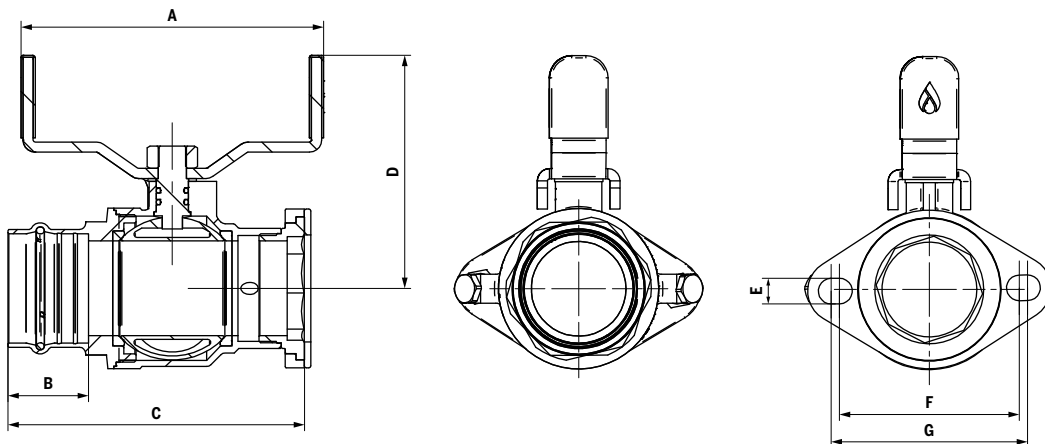
- ▶ 1 gasket
- ▶ 2 nuts and 2 bolts

OPTIONAL

- ▶ 1/8" MNPT Pressure gauge
0-30 PSI
(#GAGE0-30BOTTOM)
- ▶ 1/8" MNPT Pressure gauge
0-100 PSI
(#GAGE0-100BOTTOM)



Model#	Size	A		B		C		D		E		F		G		Weight	
		in	mm	in	mm	in	mm	in	mm	in	mm	in	mm	in	mm	lb	kg
PF200P-ND	2"	6	150	1 1/2	40	5 3/4	147	4 1/2	116	1/2	13	3 1/2	88	4	97	4.8	2.2



TYPICAL SPECIFICATIONS

Designed for residential, commercial, or industrial use with water or a glycol mixture. This Calefactio pump flange valve is activated by a blowout proof stem. Multi-directional main valve allows for draining from either side of the pump. Do not silver braze or overheat valves when soldering.