

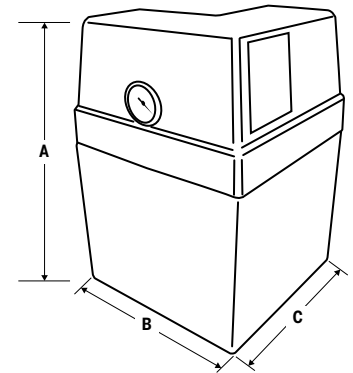
GMP6 / GMP6S / GMP18 / GMP18S

PROJECT

_____	_____
To	Project
_____	_____
Date submitted	Submitted by
_____	_____
Date of approval	Approved by
_____	_____
Model number	Quantity

DIMENSIONS

MODEL	SIDE AND TOP CLEARANCE		HEIGHT A		WIDTH B		DEPTH C	
	in	mm	in	mm	in	mm	in	mm
GMP6 / GMP6S	12	305	17.5	445	12	305	12	305
GMP18 / GMP18S	12	305	39.25	997	12	305	12	205



TECHNICAL CHARACTERISTICS

MODEL	MAKE-UP CAPACITY		ELECTRICAL CONNECTION	PUMP	DISCHARGE CONNECTION	WEIGHT EMPTY		WEIGHT FULL		PRESSURE	
	L	gal.				kg	lb	kg	lb	kPa	psig
GMP6	22.7	6	120 VAC / 60 Hz plug	1.6 gpm (6L/m)	½" FPT	7.4	16	30	66	0-413	0-60
GMP18	68.1	18			½" FPT	11.4	25	79.5	175	0-413	0-60
GMP6S	22.7	6			½" FPT	7.4	16	30	66	0-690	0-100
GMP18S	68.1	18			½" FPT	11.4	25	79.5	175	0-690	0-100

Alarm panel kit (#GMPAL)

The kit includes a low level float switch and an alarm panel. The float kit includes a 10' (3 m) cable for connection to the remote panel. The alarm panel includes: NEMA1 indoor enclosure, 6' (1.8 m) power cord with 120 V plug, 12 VAC control circuit with 9 Volt battery backup (battery included), power and alarm indicator lights, silence and test buttons.

Remote alarm kit (#GMPDC)

The kit consists of auxiliary alarm contacts (1-NO). It includes a float with a 10' (3 m) cable for connection to the remote panel by others.

Wall mounting shelf (#GMP6WMS)

Wall mounting shelf for GMP6 and GMP6S

Braided hose (#BH72)

72 inches braided hose to connect GMP to system



TYPICAL SPECIFICATIONS

The automatic hydronic system feeder shall be Calefactio's model GMP_____. The system shall be compatible with solutions up to 50% glycol. The system shall be factory assembled and complete with : a storage tank with a 127 mm (5 in) opening with cover, liquid level gauge, pump suction hose with strainer, pressure pump with check valve, cutout piggyback level float switch, adjustable PRV for setting up system pressure from 0 to _____ kPa (0 to _____ psig) and pressure gauge. The unit shall be warranted for one (1) year.

Quebec (Canada)

T 450 951.0818

F 450 951.2165

info@calefactio.com

calefactio.com