

ΔP PUMP FLANGE



NPT WITH NO DRAIN

SUBMITTAL DATA

Projet : _____

Representative : _____

Location : _____

Date submitted : _____

Engineer : _____

Approved by : _____

Contractor : _____

Date of approval : _____

DESCRIPTION

- ▶ Full port brass ball valve
- ▶ Rotating flange
- ▶ 2 gauge port
- ▶ 500 CWP (Cold Working Pressure)

INCLUDED

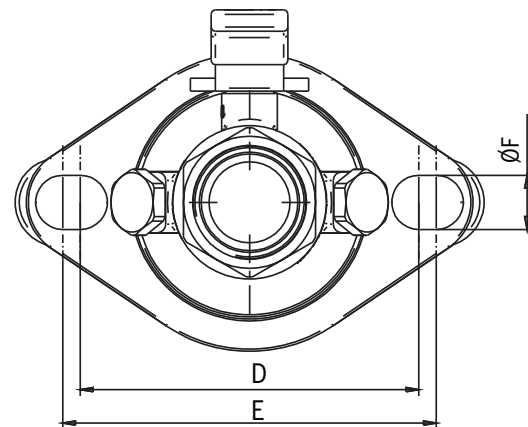
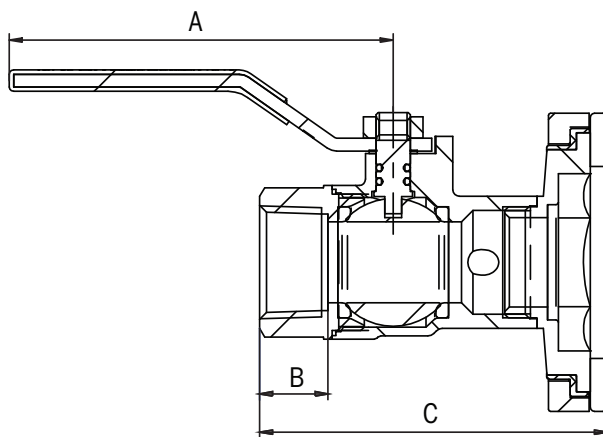
- ▶ 1 gasket
- ▶ 2 nuts and 2 bolts
- ▶ 2 plugs 1/8" (installed)

OPTIONAL

- ▶ 1/8" MNPT Pressure Gauge
- #Gauge 0-30 bottom PSI 0-30
- #Gauge 0-100 bottom PSI 0-100



Model#	Size		A		B		C		D		E		F		Weight	
	in	in	in	mm	in	mm	in	mm	in	mm	in	mm	in	mm	lbs.	kg.
PF034N-ND	3/4	3 1/2	90	5/8	16	3 1/8	81								1.6	0.7
PF100N-ND	1	4	100	3/4	19	3 1/2	90	3 1/8	79	3 1/2	88	1/2	13	2.0	0.9	
PF114N-ND	1 1/4	5 1/2	140	3/4	19	3 7/8	99							2.7	1.2	
PF112N-ND	1 1/2	5 1/2	140	3/4	20	4 1/8	105							3.2	1.4	



TYPICAL SPECIFICATIONS

Designed for residential, commercial, or industrial use with water or a glycol mixture. This Calefactio pump flange valve is activated by a blowout proof stem. Multi-directional main valve allows for draining from either side of the pump. Do not silver braze or overheat valves when soldering.

Québec (Canada)

T 450 951.0818

F 450 951.2165

info@calefactio.com

calefactio.com

ΔP PUMP FLANGE



SWEAT WITH NO DRAIN

SUBMITTAL DATA

Projet : _____

Representative : _____

Location : _____

Date submitted : _____

Engineer : _____

Approved by : _____

Contractor : _____

Date of approval : _____

DESCRIPTION

- ▶ Full port brass ball valve
- ▶ Rotating flange
- ▶ 2 gauge port
- ▶ 500 CWP (Cold Working Pressure)

INCLUDED

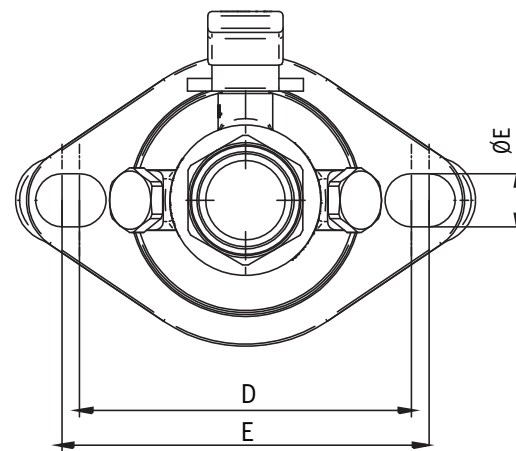
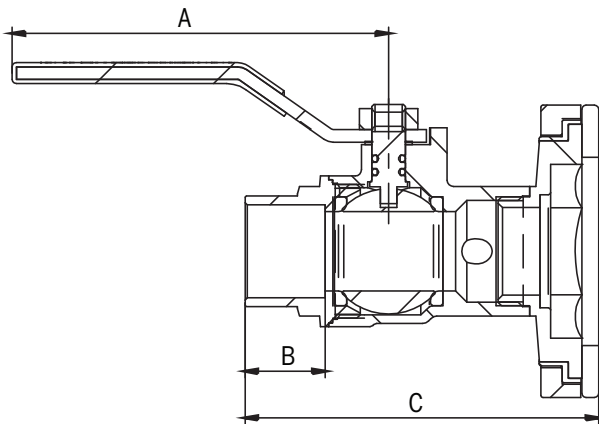
- ▶ 1 gasket
- ▶ 2 nuts and 2 bolts
- ▶ 2 plugs 1/8" (installed)

OPTIONAL

- ▶ 1/8" MNPT Pressure Gauge
- #Gauge 0-30 bottom PSI 0-30
- #Gauge 0-100 bottom PSI 0-100



Model#	Size	A		B		C		D		E		F		Weight	
	in	in	mm	in	mm	in	mm	in	mm	in	mm	in	mm	lbs.	kg.
PF034S-ND	3/4	3 1/2	90	3/4	19	3 3/4	84	3 1/8	79	3 1/2	88	1/2	13	1.7	0.8
PF100S-ND	1	4	100	1	23	3 3/4	94							2.0	0.9
PF114S-ND	1 1/4	5 1/2	140	1	25	4 1/8	105							2.7	1.2
PF112S-ND	1 1/2	5 1/2	140	1 1/8	28	4 1/2	114							3.2	1.4



TYPICAL SPECIFICATIONS

Designed for residential, commercial, or industrial use with water or a glycol mixture. This Calefactio pump flange valve is activated by a blowout proof stem. Multi-directional main valve allows for draining from either side of the pump. Do not silver braze or overheat valves when soldering.

Québec (Canada)

T 450 951.0818

F 450 951.2165

info@calefactio.com

calefactio.com

ΔP PUMP FLANGE



PRESS WITH NO DRAIN

SUBMITTAL DATA

Projet : _____

Representative : _____

Location : _____

Date submitted : _____

Engineer : _____

Approved by : _____

Contractor : _____

Date of approval : _____

DESCRIPTION

- ▶ Full port brass ball valve
- ▶ Rotating flange
- ▶ 2 gauge port
- ▶ 500 CWP (Cold Working Pressure)

INCLUDED

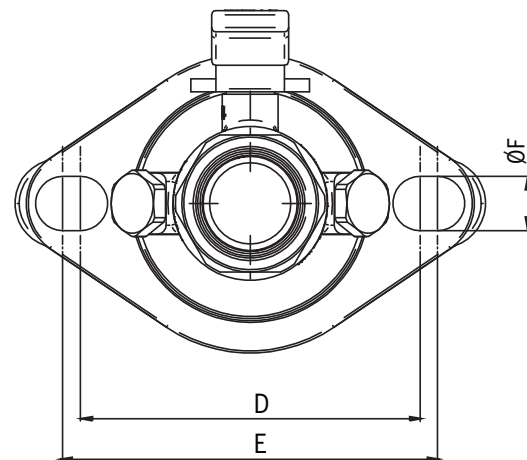
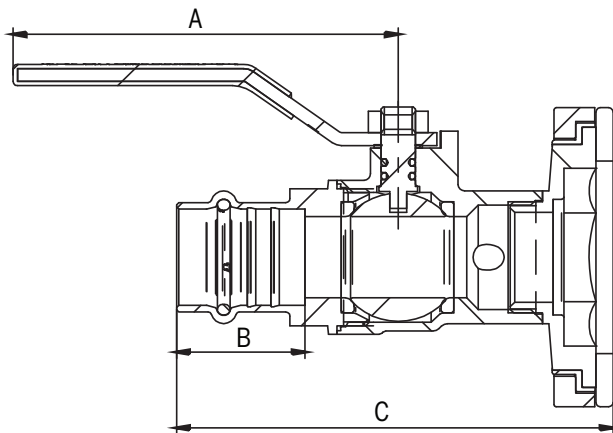
- ▶ 1 gasket
- ▶ 2 nuts and 2 bolts
- ▶ 2 plugs 1/8" (installed)

OPTIONAL

- ▶ 1/8" MNPT Pressure Gauge
- #Gauge 0-30 bottom PSI 0-30
- #Gauge 0-100 bottom PSI 0-100



Model#	Size	A		B		C		D		E		F		Weight	
	in	in	mm	in	mm	in	mm	in	mm	in	mm	in	mm	lbs.	kg.
PF034P-ND	3/4	3 1/2	90	1 3/16	30	4	101	3 1/8	79	3 1/2	88	1/2	13	1.7	0.8
PF100P-ND	1	4	100	1 3/16	30	4 1/4	107							2.2	1
PF114P-ND	1 1/4	5 1/2	140	1 3/16	30	4 3/4	119							2.9	1.3
PF112P-ND	1 1/2	5 1/2	140	1 3/8	35	5 1/16	129							3.4	1.6



TYPICAL SPECIFICATIONS

Designed for residential, commercial, or industrial use with water or a glycol mixture. This Calefactio pump flange valve is activated by a blowout proof stem. Multi-directional main valve allows for draining from either side of the pump. Do not silver braze or overheat valves when soldering.

Québec (Canada)

T 450 951.0818

F 450 951.2165

info@calefactio.com

calefactio.com

ΔP PUMP FLANGE



PEX F1960 WITH NO DRAIN

SUBMITTAL DATA

Projet : _____

Representative : _____

Location : _____

Date submitted : _____

Engineer : _____

Approved by : _____

Contractor : _____

Date of approval : _____

DESCRIPTION

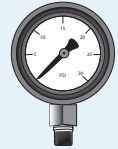
- ▶ Full port brass ball valve
- ▶ Rotating flange
- ▶ 2 gauge port
- ▶ 500 CWP (Cold Working Pressure)

INCLUDED

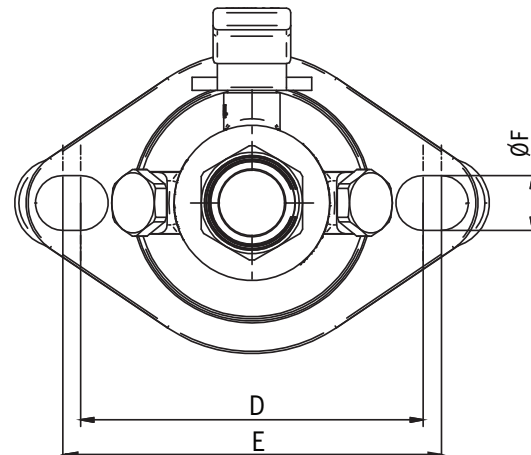
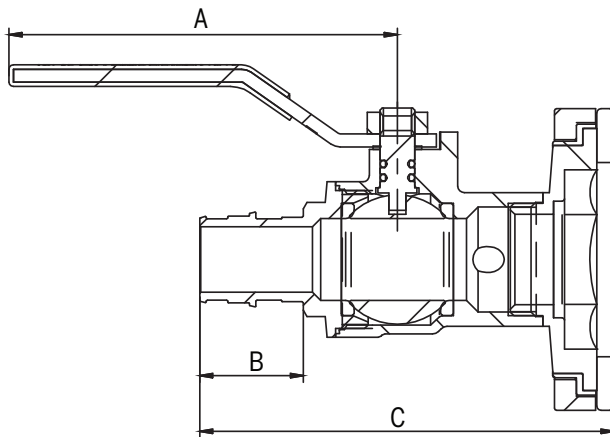
- ▶ 1 gasket
- ▶ 2 nuts and 2 bolts
- ▶ 2 plugs 1/8" (installed)

OPTIONAL

- ▶ 1/8" MNPT Pressure Gauge
- #Gauge 0-30 bottom PSI 0-30
- #Gauge 0-100 bottom PSI 0-100



Model#	Size	A		B		C		D		E		F		Weight	
	in	in	mm	in	mm	in	mm	in	mm	in	mm	in	mm	lbs.	kg.
PF034F-ND	3/4	3 1/2	90	1	24	3 3/4	95							1.7	0.8
PF100F-ND	1	4	100	1 3/16	30	4 1/4	108	3 1/8	79	3 1/2	88	1/2	13	2.1	1
PF114F-ND	1 1/4	5 1/2	140	1 1/2	37	5	126							2.9	1.3
PF112F-ND	1 1/2	5 1/2	140	1 3/4	43	5 1/2	139							3.3	1.5



TYPICAL SPECIFICATIONS

Designed for residential, commercial, or industrial use with water or a glycol mixture. This Calefactio pump flange valve is activated by a blowout proof stem. Multi-directional main valve allows for draining from either side of the pump. Do not silver braze or overheat valves when soldering.

Québec (Canada)

T 450 951.0818

F 450 951.2165

info@calefactio.com

calefactio.com