

# ΔP 2" PUMP FLANGE



NPT WITH NO DRAIN

SUBMITTAL DATA

Projet : \_\_\_\_\_

Representative : \_\_\_\_\_

Location : \_\_\_\_\_

Date submitted : \_\_\_\_\_

Engineer : \_\_\_\_\_

Approved by : \_\_\_\_\_

Contractor : \_\_\_\_\_

Date of approval : \_\_\_\_\_

## DESCRIPTION

- ▶ Full port brass ball valve
- ▶ Rotating flange
- ▶ 2 gauge port
- ▶ 500 CWP (Cold Working Pressure)

## INCLUDED

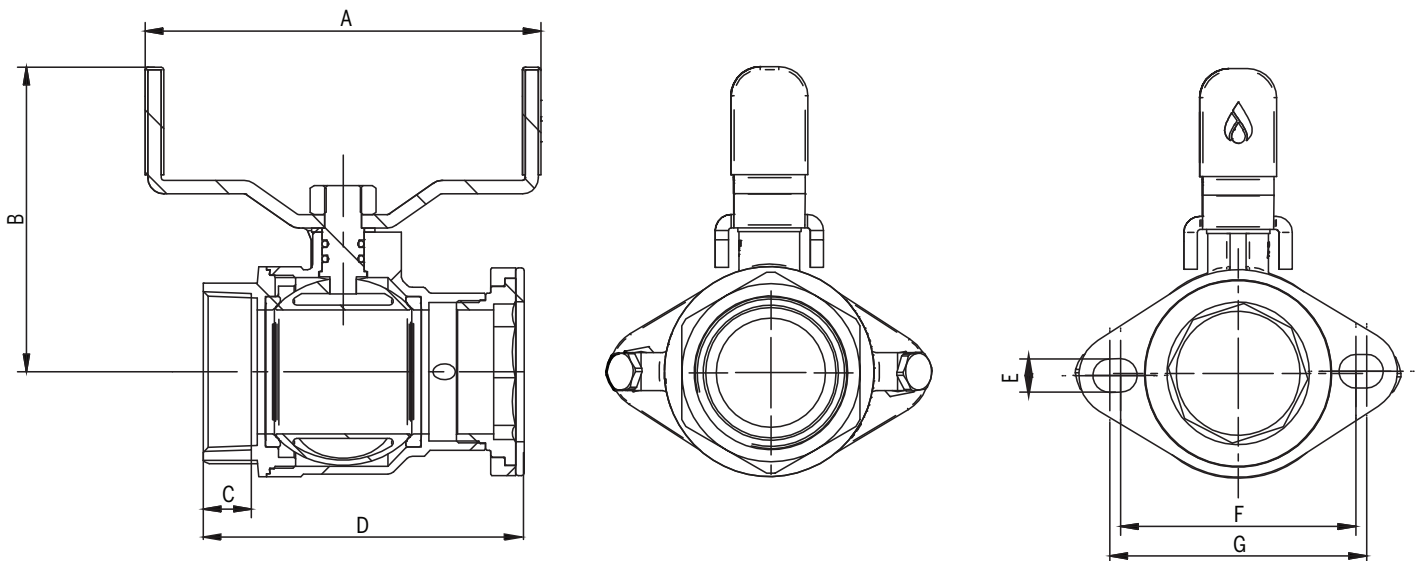
- ▶ 1 gasket
- ▶ 2 nuts and 2 bolts
- ▶ 2 plugs 1/8" (installed)

## OPTIONAL

- ▶ 1/8" MNPT Pressure Gauge
- #Gauge 0-30 bottom PSI 0-30
- #Gauge 0-100 bottom PSI 0-100



Model#	Size		A		B		C		D		E		F		G		Weight	
	in	mm	in	mm	in	mm	in	mm	in	mm	in	mm	in	mm	in	mm	lbs.	kg.
PF200N-ND	2	50.8	6	152.4	4 1/2	114.3	3/4	19.0	4 3/4	119.4	1/2	12.7	3 1/2	88.9	4	101.6	4.8	2.2



## TYPICAL SPECIFICATIONS

Designed for residential, commercial, or industrial use with water or a glycol mixture. This Calefactio pump flange valve is activated by a blowout proof stem. Multi-directional main valve allows for draining from either side of the pump. Do not silver braze or overheat valves when soldering.

Québec (Canada)

T 450 951.0818

F 450 951.2165

info@calefactio.com

calefactio.com

# ΔP 2" PUMP FLANGE



SWEAT WITH NO DRAIN

SUBMITTAL DATA

Projet : \_\_\_\_\_

Representative : \_\_\_\_\_

Location : \_\_\_\_\_

Date submitted : \_\_\_\_\_

Engineer : \_\_\_\_\_

Approved by : \_\_\_\_\_

Contractor : \_\_\_\_\_

Date of approval : \_\_\_\_\_

## DESCRIPTION

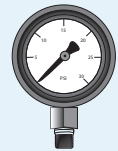
- ▶ Full port brass ball valve
- ▶ Rotating flange
- ▶ 2 gauge port
- ▶ 500 CWP (Cold Working Pressure)

## INCLUDED

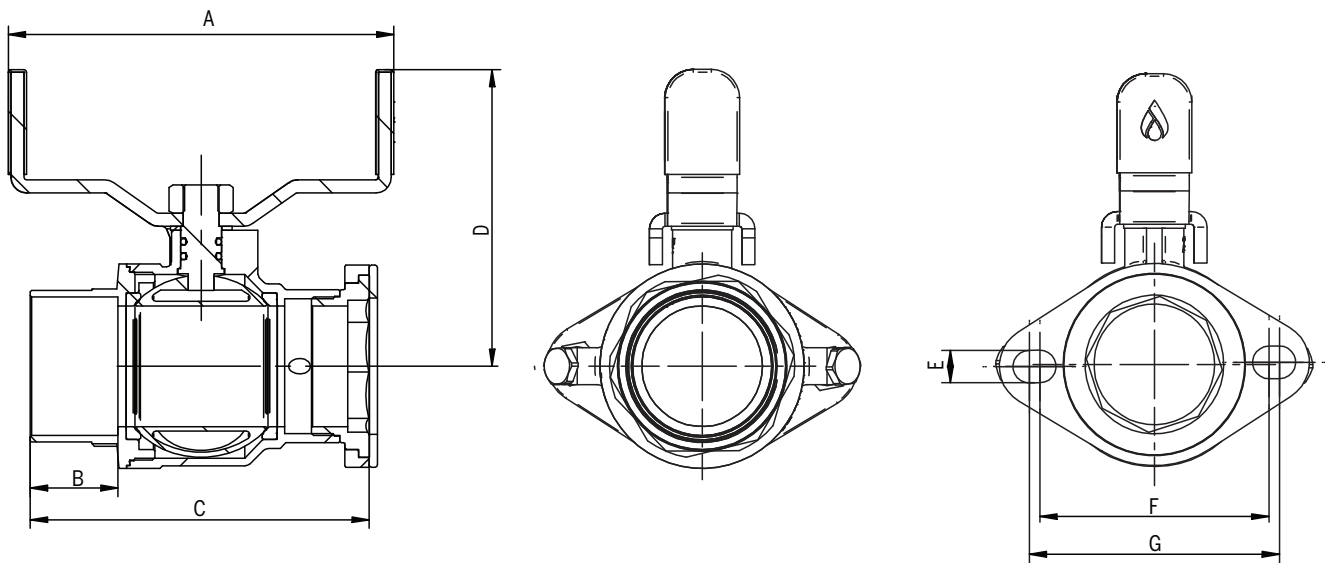
- ▶ 1 gasket
- ▶ 2 nuts and 2 bolts
- ▶ 2 plugs 1/8" (installed)

## OPTIONAL

- ▶ 1/8" MNPT Pressure Gauge
- #Gauge 0-30 bottom PSI 0-30
- #Gauge 0-100 bottom PSI 0-100



Model#	Size		A		B		C		D		E		F		G		Weight	
	in	mm	in	mm	in	mm	in	mm	in	mm	in	mm	in	mm	in	mm	lbs.	kg.
PF200S-ND	2	50.8	6	152.4	1 3/8	34.9	5 1/4	133.0	4 1/2	114.3	1/2	12.7	3 1/2	88.9	4	101.6	4.8	2.2



## TYPICAL SPECIFICATIONS

Designed for residential, commercial, or industrial use with water or a glycol mixture. This Calefactio pump flange valve is activated by a blowout proof stem. Multi-directional main valve allows for draining from either side of the pump. Do not silver braze or overheat valves when soldering.

Québec (Canada)

T 450 951.0818

F 450 951.2165

info@calefactio.com

calefactio.com

# ΔP 2" PUMP FLANGE



PRESS WITH NO DRAIN

SUBMITTAL DATA

Projet : \_\_\_\_\_

Representative : \_\_\_\_\_

Location : \_\_\_\_\_

Date submitted : \_\_\_\_\_

Engineer : \_\_\_\_\_

Approved by : \_\_\_\_\_

Contractor : \_\_\_\_\_

Date of approval : \_\_\_\_\_

## DESCRIPTION

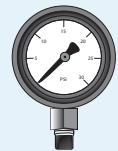
- ▶ Full port brass ball valve
- ▶ Rotating flange
- ▶ 2 gauge port
- ▶ 500 CWP (Cold Working Pressure)

## INCLUDED

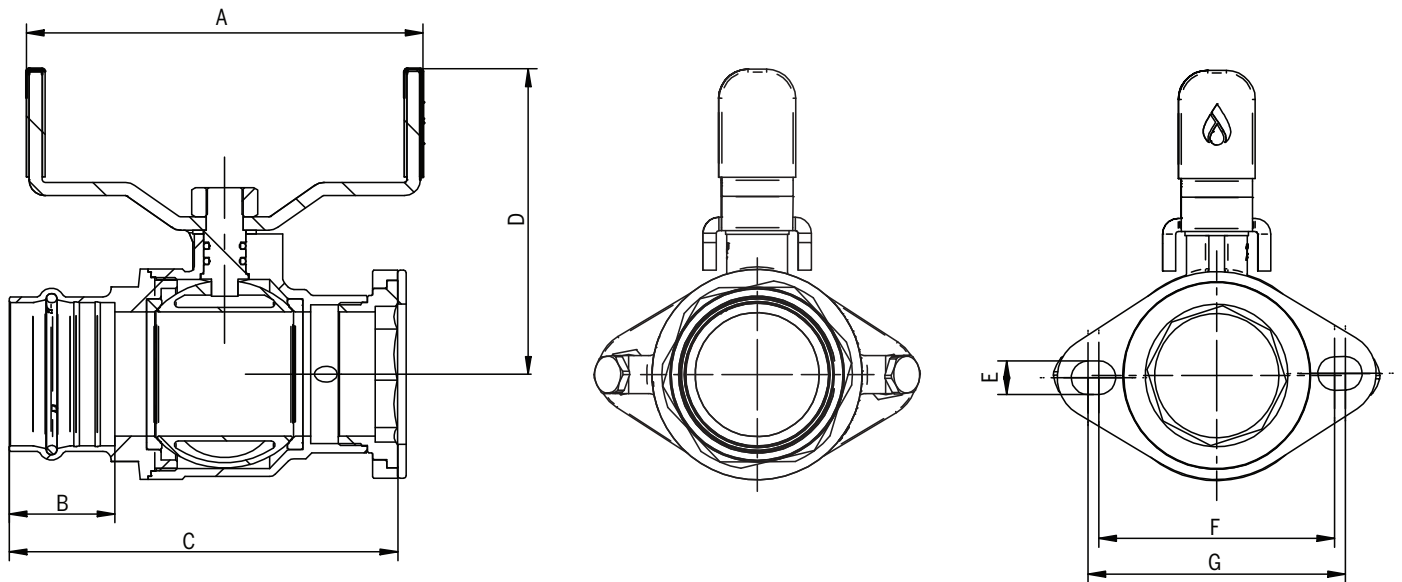
- ▶ 1 gasket
- ▶ 2 nuts and 2 bolts
- ▶ 2 plugs 1/8" (installed)

## OPTIONAL

- ▶ 1/8" MNPT Pressure Gauge
- #Gauge 0-30 bottom PSI 0-30
- #Gauge 0-100 bottom PSI 0-100



Model#	Size		A		B		C		D		E		F		G		Weight	
	in	mm	in	mm	in	mm	in	mm	in	mm	in	mm	in	mm	in	mm	lbs.	kg.
PF200P-ND	2	50.8	6	152.4	1 1/2	38.1	5 3/4	146.0	4 1/2	114.3	1/2	12.7	3 1/2	88.9	4	101.6	4.8	2.2



## TYPICAL SPECIFICATIONS

Designed for residential, commercial, or industrial use with water or a glycol mixture. This Calefactio pump flange valve is activated by a blowout proof stem. Multi-directional main valve allows for draining from either side of the pump. Do not silver braze or overheat valves when soldering.

Québec (Canada)

T 450 951.0818

F 450 951.2165

info@calefactio.com

calefactio.com