

TWIN GMP

PROJECT

To _____

Date submitted _____

Date of approval _____

Model number _____

Project _____

Submitted by _____

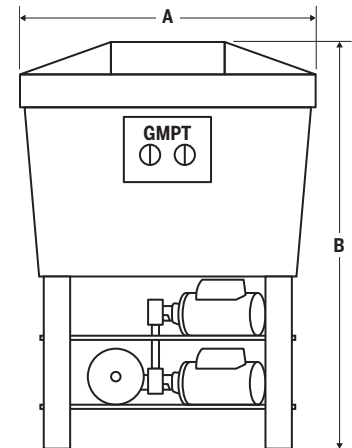
Approved by _____

Quantity _____

DESCRIPTION

The Twin GMP unit (GMPT) has a mechanical system composed with two pumps and a control panel with two magnetic starters and a low which stops the pump in the event of a low level. Low liquid level sensors are in the tank. The user will be warned by a visible and audible (which can be disabled) alarm.

The GMPT unit is mounted on a sturdy steel frame, complete with legs to keep it off the floor. The package includes two pumps (120 V/1 ph/60 Hz), one pressure tank, two priming valves, one pressure regulator valve (PRV), a shut-off valve, a pressure gauge and a 50 or 100 gallons polyethylene tank with level indicator. The alternation is set in the control panel where are installed an alternator and two magnetic starters. The GMP connection on this unit is 1/2" (1.27 cm.)



TECHNICAL CHARACTERISTICS

MODEL	MAKE-UP CAPACITY		MOTOR		PRESSURE RANGE		SOLUTION CONTAINER		DIMENSION				APPROX. WEIGHT		
	GPM @ psi	l/m @ kPa	hp	kW	Voltage	psi	kPa	gal.	L	A		B		lb	kg
										in	cm	in	cm		
GMPT33050	1.8 @ 70	6.8 @ 482	1/3	0.2	120 V/1 ph/60 Hz	10-70	69-482	50	189	28	71	55	140	153	69
GMPT33100	1.8 @ 70	6.8 @ 482	1/3	0.2	120 V/1 ph/60 Hz	10-70	69-482	100	378	28	71	78	198	166	75
GMPT35050	1.8 @ 70	6.8 @ 482	1/2	0.4	120 V/1 ph/60 Hz	10-70	69-482	50	189	28	71	55	140	153	69
GMPT35100	1.8 @ 70	6.8 @ 482	1/2	0.4	120 V/1 ph/60 Hz	10-70	69-482	100	378	28	71	78	198	166	75

TYPICAL SPECIFICATIONS

Furnish and install, as shown on plans and described as follows a glycol feeder equipped with a control panel with two magnetic starters and a switch that starts each pump alternately. The system must have an audible and visual low level alarm which stops the pump in the event of a low level. The system must be mounted on a sturdy steel frame, completed with legs to keep it off the floor and include two pumps (120 V/1 ph/60 Hz), one pressure tank, two priming valves, one pressure regulator valve (PRV), a shut-off valve, a pressure gauge, a _____ hp motor and a _____ gallons polyethylene tank with level indicator. The unit must be Calefactio's GMPT _____ or approved equivalent.