

ASME SHOCK AND SURGE ARRESTORS

Calefactio Type SSA tanks are ASME replaceable bladder type air precharged hydro-pneumatic tanks for commercial, industrial, municipal, and well water systems to effectively control water hammer shock and pump start-up/shut-down water surge.

The vessels are fabricated to resist to 250 psi with large water system connections designed to quickly accept potentially harmful water surge pressures, with minimal pressure drop. The fluid is contained in a heavy duty butyl bladder.

CONSTRUCTION

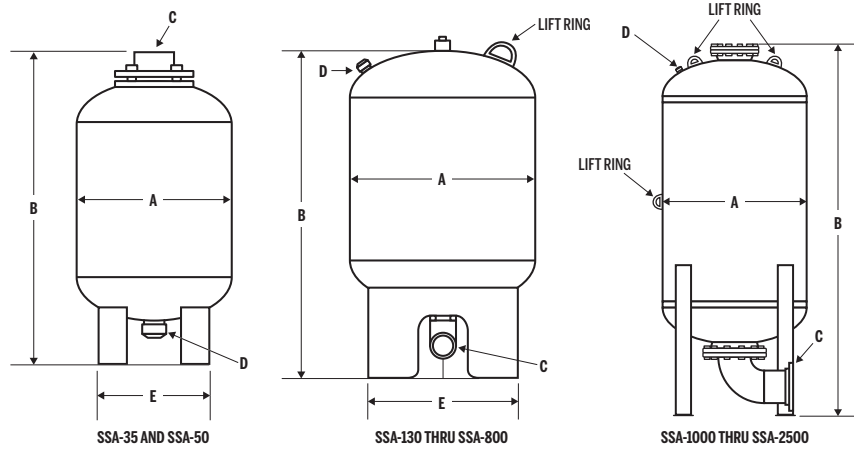
- Shell: Carbon steel
- Bladder: Heavy duty butyl
- System connection: Carbon steel

PERFORMANCE LIMITATIONS

- Maximum design temperature: 240 °F
- Maximum design pressure: 250 psig*
- Factory air precharge: 30 psi (Field adjustable)

NOTES

- Tanks are factory precharged at 30 psi and field adjustable.
- Angle legs provided on model SSA-1000 thru SSA-2500.
- Available with mounting clips.



Model	Volume		Dimensions								Shipping approx. weight		
			A		B		System connection C		Charging valve D				E
	gal	L	in	mm	in	mm	in	mm			in	mm	lb
SSA-35	10	38	12	305	26	660	2 ½	64	0.302" – 32 NC 7.7 mm – 32 NC	9	229	55	25
SSA-50	13	49	14	356	26	660	2 ½	64		10	254	65	30
SSA-85	23	87	16	406	30 ½	775	3	76		12	305	134	61
SSA-130	35	132	20	508	30 ½	775	3	76		16	406	175	79
SSA-200	53	201	24	610	46 ½	1181	4	102		20	508	250	113
SSA-300	79	299	24	610	58 ½	1486	4	102		20	508	341	155
SSA-400	106	401	30	762	52 ½	1334	4	102		24	610	430	195
SSA-500	132	500	30	762	63	1600	6	152		24	610	596	270
SSA-600	158	598	30	762	71	1803	6	152		24	610	653	296
SSA-700	185	700	30	762	81 ½	2070	6	152		24	610	726	329
SSA-800	211	799	32	813	82	2083	6	152		26	660	902	409
SSA-1000	264	999	36	914	85	2159	10	254		-	-	1147	520
SSA-1200	317	1199	36	914	107	2718	10	254		-	-	1303	591
SSA-1400	370	1401	36	914	119	3023	10	254		-	-	1447	656
SSA-1600	422	1597	48	1219	92	2337	10	254		-	-	1888	856
SSA-2000	528	1999	48	1219	105	2667	10	254		-	-	2105	955
SSA-2500	660	2498	48	1219	122	3099	10	254	-	-	2425	1100	

QUANTITY: _____ MODEL: SSA- _____

OPTIONS: Seismic bracket – Suffix "VB"
(Fits all models)

Notes: _____
 Project: _____ Representative: _____
 Location: _____ Date submitted: _____
 Engineer: _____ Approved by: _____
 Contractor: _____ Date of approval: _____

TYPICAL SPECIFICATIONS: Furnish and install as shown on plans a _____ gallons/liters _____ in/mm diameter x _____ in/mm (high) air precharged steel hydro-pneumatic tank with a _____ in/mm diameter system connection and a replaceable heavy-duty butyl bladder. The tank shall have a victaulic system connection, and a .302"-32 charging valve connection (standard tire valve) to facilitate the on-site charging of the tank to meet system requirements. The tank shall be fitted with lifting rings and basing or angle legs for vertical installation. The tank must be constructed in accordance with most recent addition of Section VIII of the ASME Boiler and Pressure Vessel Code and stamped _____ psi working pressure. Each tank shall be Calefactio model number SSA- _____ or approved equal.