

## ASME HYDRO-PNEUMATIC WELL AND WATER SYSTEM TANK

- Replaceable bladder
- Bottom connection

ASME replaceable bladder AFX type tanks for commercial, industrial and municipal well water and booster applications are available in sizes from 10 to 1,320 gallons.

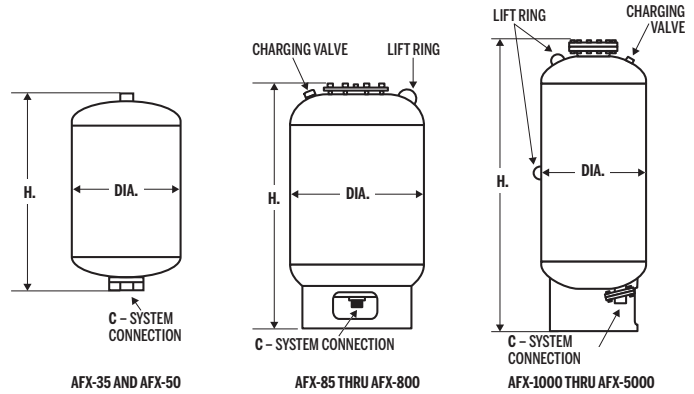
Type AFX water system control tanks are designed for jobs that require high pressure centralized water storage for community wells, highrise buildings, irrigation systems, and pressure boosting applications where the ultimate in performance and quality is required.

Hefty drawdown prevents pumps from over cycling and allows saving of electrical energy by reducing frequent pump starts. Assists the pump in meeting peak demands.

Models available up to 250 psig and higher working pressures. Efficient design allows use of smaller sizes to save on space and installation costs.

- ASME Section VIII construction
- Permanent separation of air and water over the life of the system
- Water is "in the bag"
- Steel tank never touches water and is not subject to corrosion
- Never water logs, no "red water"
- Full acceptance replaceable bladder
- Standard pressures 125 psi, 200 psi
- Can be manifolded for additional capacity
- Factory air precharged and field adjustable

240 °F (115 °C) maximum temperature.  
 Factory air precharged 30 psi (210 kPa).  
 Prime paint exterior finish.



Model	Tank volume		Dimensions				NPT Connection (C)		Shipping weight	
			Diameter		Height					
	gal	L	in	mm	in	mm	in	mm	lb	kg
<b>AFX-35</b>	10	38	12	305	25	635	¾	19	40	18
<b>AFX-50</b>	13	49	14	356	25	635	¾	19	50	23
<b>AFX-85</b>	23	87	16	406	37	940	1	25	90	41
<b>AFX-130</b>	35	133	20	508	37	940	1	25	125	57
<b>AFX-200</b>	53	201	24	610	43	1092	1½	38	210	95
<b>AFX-300</b>	79	299	24	610	55	1397	1½	38	225	102
<b>AFX-400</b>	106	401	30	762	49	1245	1½	38	300	136
<b>AFX-500</b>	132	500	30	762	57	1448	2	51	330	150
<b>AFX-600</b>	158	598	30	762	65	1651	2	51	360	164
<b>AFX-700</b>	185	700	30	762	80	2032	2	51	600	272
<b>AFX-800</b>	211	799	32	813	76	1930	2	51	475	216
<b>AFX-1000</b>	264	999	36	914	82	2083	3	76	735	333
<b>AFX-1200</b>	317	1200	36	914	94	2387	3	76	745	338
<b>AFX-1400</b>	370	1401	36	914	107	2718	3	76	900	408
<b>AFX-1600</b>	422	1597	48	1219	84	2133	3	76	1210	549
<b>AFX-2000</b>	528	1999	48	1219	97	2464	3	76	1305	592
<b>AFX-2500</b>	660	2498	48	1219	116	2946	4	102	1430	649
<b>AFX-3000L</b>	792	2998	48	1219	134	3404	4	102	1575	714
<b>AFX-3000S</b>	792	2998	60	1524	97	2464	4	102	2169	984
<b>AFX-4000</b>	1056	3997	60	1524	123	3124	4	102	2638	1197
<b>AFX-5000</b>	1320	4997	60	1524	146	3708	4	102	3246	1472

QUANTITY: \_\_\_\_\_ MODEL: AFX- \_\_\_\_\_

OPTION:  Seismic bracket – Suffix "VB"  
 (Fits models AFX-85 to AFX-5000)

Notes: \_\_\_\_\_

Project: \_\_\_\_\_ Representative: \_\_\_\_\_

Location: \_\_\_\_\_ Date submitted: \_\_\_\_\_

Engineer: \_\_\_\_\_ Approved by: \_\_\_\_\_

Contractor: \_\_\_\_\_ Date of approval: \_\_\_\_\_

**TYPICAL SPECIFICATIONS:** Furnish and install as shown on plans a \_\_\_\_\_ gallons/liters \_\_\_\_\_ in/mm diameter x \_\_\_\_\_ in/mm (high) air precharged steel hydro-pneumatic tank with replaceable heavy duty butyl bladder. The tank must have a NPT system connection and a .302" -32 charging valve connection (standard tire valve) to facilitate on-site charging of the tank to meet system requirements. The tank must be constructed in accordance with Section VIII of the ASME Boiler and Pressure Vessel Code. Each tank shall be Calefactio model number AFX-\_\_\_\_\_ or approved equal.