

SINGLE GMP

PROJECT

To _____

Date submitted _____

Date of approval _____

Model number _____

Project _____

Submitted by _____

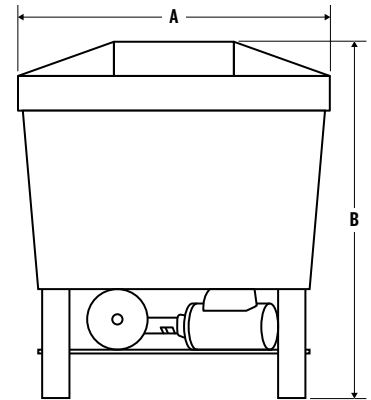
Approved by _____

Quantity _____

DESCRIPTION

The Single GMP unit (GMP) has a mechanical system composed with a pump, a magnetic starter and a low which stops the pump in the event of a low level. Low liquid level sensors are in the tank. The user will be warned by a visible and audible (which can be disabled) alarm.

The GMP unit is mounted on a sturdy steel frame, complete with legs to keep it off the floor. The package includes a pump (120V/1ph/60Hz), one built-in safety valve, one pressure tank, one priming valve, one pressure regulator valve (PRV), a shut-off valve, a pressure gauge and a 50 or 100 gallons polyethylene tank with level indicator.



TECHNICAL CHARACTERISTICS

MODEL	MAKE-UP CAPACITY		MOTOR		VOLTAGE	PRESSURE RANGE		SOLUTION CONTAINER		DIMENSION				APPROX. WEIGHT	
	GPM @ psi	l/m @ kPa	hp	kW		psi	kPa	gal.	L	A		B		lb	kg
										in	cm	in	cm		
GMP13050	1.8 @ 70	6.8 @ 482	1/3	0.2	120 V/1 ph/60 Hz	10-70	69-482	50	189	28	71	42	107	90	41
GMP13100	1.8 @ 70	6.8 @ 482	1/3	0.2	120 V/1 ph/60 Hz	10-70	69-482	100	378	28	71	67	170	105	47
GMP15050	1.8 @ 70	6.8 @ 482	1/2	0.4	120 V/1 ph/60 Hz	10-70	69-482	50	189	28	71	42	107	95	43
GMP15100	1.8 @ 70	6.8 @ 482	1/2	0.4	120 V/1 ph/60 Hz	10-70	69-482	100	378	28	71	67	170	110	49

TYPICAL SPECIFICATIONS

Furnish and install, as shown on plans and described as follows a glycol feeder equipped with a mechanical system composed of a magnetic starter as well as a switch and an audible and visual low level alarm. The system must be mounted on a sturdy steel frame, completed with legs to keep it off the floor and include a pump (120V/1ph/60Hz), one pressure tank, one priming valve, one pressure regulator valve (PRV), a shut-off valve, a pressure gauge, a _____ hp motor and a _____ gallons polyethylene tank with level indicator. The unit must be Calefactio's GMP _____ or approved equivalent.